

BS Series – Higher Flow

- ▶ MOPD: 50 PSI (Plastic Body) or 150 PSI (Metal Body)
- ▶ C_v Range: 0.020 to 0.880
- ▶ 4.5 Watts (Plastic Body) or 7 Watts (Metal Body)

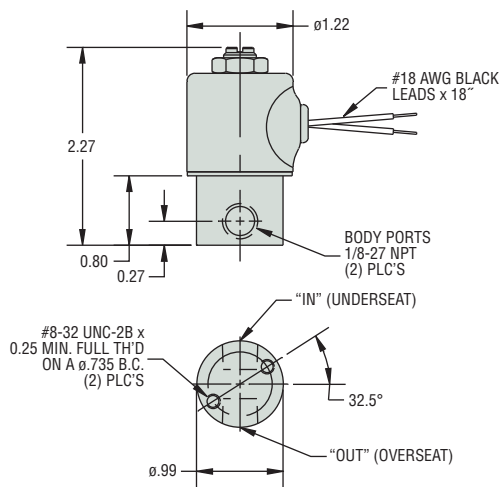
The BS Series is a 2-way, high flow, isolation valve that is designed to be virtually impervious to chemical attack and to protect high purity media. When your media cannot come in contact with any metallic materials, this highly versatile, modular valve delivers the protection you need for accurate and reliable flow control for millions of cycles. With a variety of body, and diaphragm materials, plus numerous port configurations, voltage options, and coil constructions, the BS Series is truly a miniature inert isolation valve that can be built to your exact applications requirements.

Typical Applications

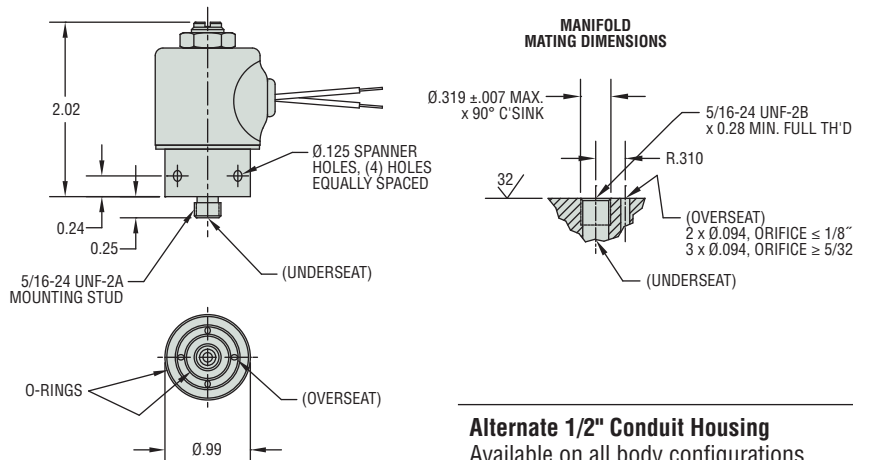
- Remediation Equipment
- Clinical Chemistry Equipment
- Analytical Instrumentation

Dimensions

Threaded Port Body

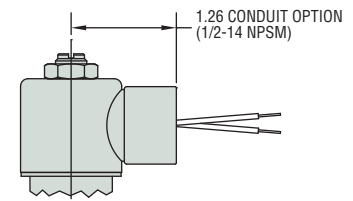


Manifold Mount Body



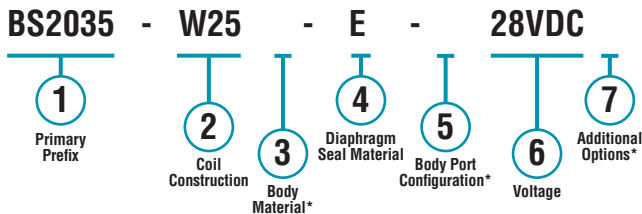
Alternate 1/2" Conduit Housing

Available on all body configurations



How To Order

Use the **Bold** characters from the choices listed on the following page to construct a product code.



* Blank entry indicates a "Standard" selection (1/8-27NPT female thread, in this case).

Example:

BS2035-W25-E-28VDC

2-Way N.C. Polypropylene (grommet housing, 1/8-27 NPT female thread only) solenoid valve, with 25" tape-wrapped coil, lead-wires, non-standard length, EPR diaphragm seal, 1/8-27 NPT female thread, operating at 28 VDC.



Part Prefix Table ①

Body Material	Orifice	MOPD (psig)	Max Back Pressure	C _v	① Primary Prefix	
	Body				Grommet Housing	Conduit Housing
303 Stainless Steel ¹	1/32	150	10	0.020	BS2010	BS2020
	3/64	110	10	0.035	BS2011	BS2021
	1/16	90	10	0.065	BS2012	BS2022
	5/64	70	10	0.210	BS2013	BS2023
	3/32	45	10	0.380	BS2014	BS2024
	1/8	15	5	0.850	BS2015	BS2025
	5/32	5	5	0.880	BS2016	BS2026
Polypropylene (1/8-27 NPT Female Thread body port only)	1/16	70	10	—	BS2011	BS2021
	1/8	15	10	—	BS2015	BS2025
	5/32	5	5	—	BS2016	BS2026

¹ Other body orifice sizes may be available, consult factory.

② Coil Construction

(blank) - Tape-wrapped, Class-B, with 18" lead-wires*

W__ = Tape-wrapped coil, lead-wires, non-standard length (specify in inches)

1 = Encapsulated coil, Class-B, lead-wires

3 = Encapsulated coil, Class-H, lead-wires

4 = Encapsulated coil, Class-B, 1/4" spade terminals (3/16" spade optional)

10 = Externally rectified coil (lead-wires only)

11 = Tape-wrapped coil, Class-H, lead-wires

HC2 = Encapsulated coil, Class-B, EN175301-803 Style C, Industrial, 9.4mm, 2+1 poles

③ Body Material (Replaces Standard 303 SS)

BB = Brass

SB = 304 Stainless Steel

SB5 = 316 Stainless Steel

④ Diaphragm Seal Material

(blank) = Viton® diaphragm*

E = EPR diaphragm

NS = Nitrile (NSF/FDA) diaphragm

PF = Perfluoroelastomer diaphragm

⑤ Body Port Configuration

(blank) = 1/8-27 NPT female thread*

LB = 1/4-18 NPT female thread

BD = #10-32 female straight thread (max. orifice = 1/8")

LT = 1/8-28 BSPT female thread

LU = 1/4-19 BSPT female thread

MM = Manifold mount (1/4-28 UNF-2A mounting stud)[†]

MM3 = Manifold mount (5/16-24 UNF-2A mounting stud)[†]

OB = Omit body (operator style)

BI = Bottom over-seat port, female thread (max. orifice = 1/8")

BIM = Bottom over-seat port, 1/8-27 NPT male thread (max. orifice = 5/64", brass body only)

BO = Bottom under-seat port, female thread

BOM = Bottom under-seat port, 1/8-27 NPT male thread (max. orifice = 1/8", brass body only)

RL = 90° porting - left hand

RR = 90° porting - right hand

⑥ Voltage

__VDC = DC (specify voltage)

__VAC = AC Rectified only (specify voltage)

⑦ Additional Options

WM = Mounting bracket

OC = Cleaned for oxygen use

* Standard selection; will be used unless otherwise specified. Standard selections are not referenced in final part number.

Notes

- Use Prefixes from these rows if you want to use any of the other Body Materials listed under selection ③. Simply add the respective material code in the 3rd part number position (See Example).
- Not available with Polypropylene bodies.

[†] Teflon® o-ring not suitable for manifold mount.

Gems specializes in the design and manufacturing of custom solenoid valves and fluidic systems. If you don't see what you're looking for, or have a question, contact us at 800-378-1600 or info@gemssensors.com.