

ROTAPULS

Feedback encoder for servo motors

series

CB59



- Feedback encoder for servomotors
- Commutation signal
- Shaft fixing from back side



CB59



www.lika.biz
 • Data-sheet
 • User manual

ENVIRONMENTAL SPECIFICATIONS

Shock:	100 g, 6 ms (acc. to MIL STD 202F)
Vibrations:	10 g, 5-2000 Hz (acc. to MIL STD 202F)
Operating temperature range:	-20°C+100°C (-4°F +212°F)
Storage temperature range:	-20°C+100°C (-4°F +212°F) (98% R.H.without condensation)
Protection:	IP40

MECHANICAL SPECIFICATIONS

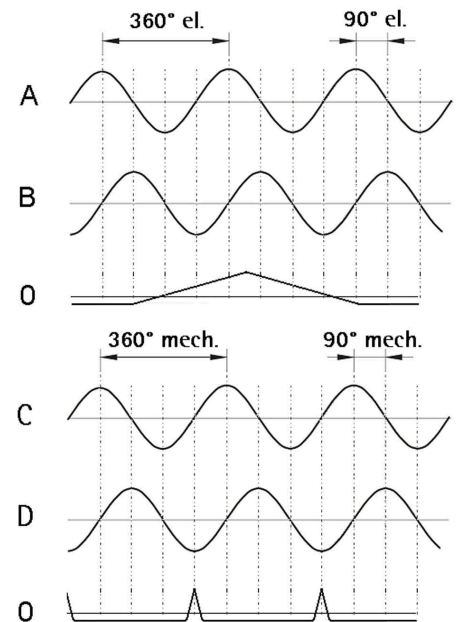
Dimensions:	see drawing
Shaft hollow:	Ø 12,7, 15 mm
Shaft loading (axial and radial):	40 N max.
Shaft rotational speed:	12000 rpm max.
Starting torque at 20°C:	~ 0,8 Ncm (typical)
Moment of inertia:	~30 gcm ²
Bearings life:	2 x 10 ⁹ rev. min.
Weight:	~ 0,4 kg (14,1 oz)
Electrical connections:	PCB connector (connection cable to be ordered separately)

ELECTRICAL SPECIFICATIONS

STD pulse rate (other PPR upon request):	2048 + Z-track
Power supply:	+5V±5%
Output circuits:	1Vpp
Output current (per channel):	40 mA max.
Output frequency:	300 kHz max.
Input current:	130 mA max.
Optoelectronic life:	100.000 hrs min.

MATERIALS

Flange:	aluminium
Housing:	aluminium
Bearings:	ABEC 5
Shaft:	stainless steel, non-magnetic
Light source:	GaAl diodes



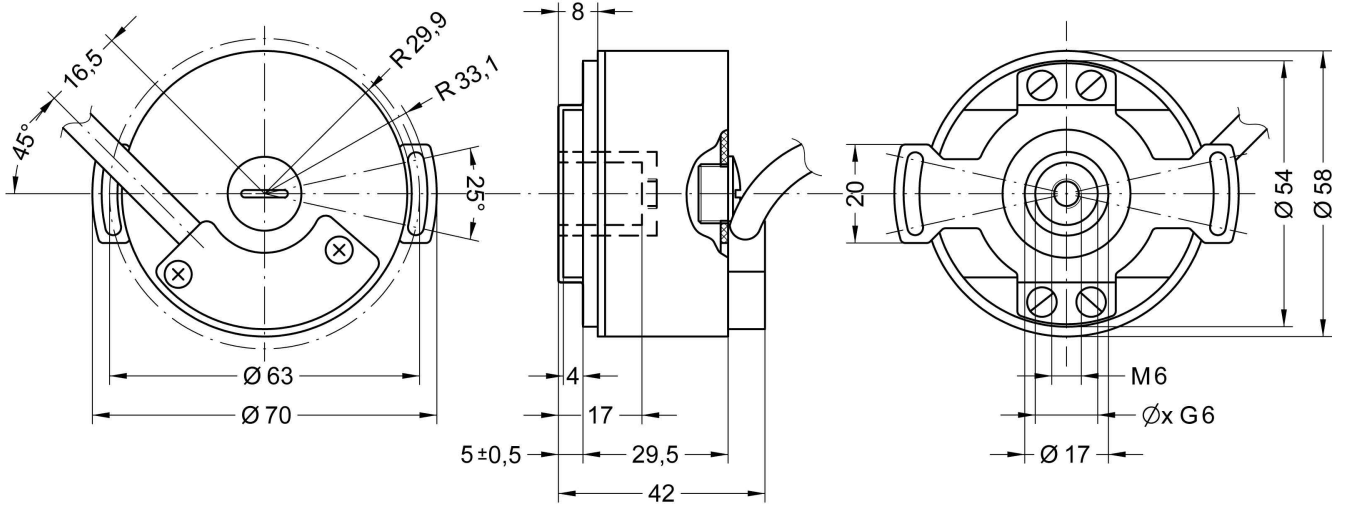
ELECTRICAL CONNECTIONS

Cable LIKA 12 x 0,14 mm² (LIYCY)

Red	+Vdc	Black	GND
Grey	/O	White	O
Red/blue	/D	Violet	D
Grey/pink	/C	Pink	C
Brown	/B	Green	B
Blue	/A	Yellow	A

ACCESSORIES

EC-CB59-1	Connection cable 1 m
EC-CB59-4	Connection cable 4 m
EC-CB59-7	Connection cable 7 m



CB59

ORDERING CODE

XXXX	-	X	-	XXXX /X	X	X
SERIES		OUTPUT CIRCUITS		PULSE RATE (PPR)		SHAFT DIAMETER
CB59		1 V _{pp} V		2048/1		12.7 12,7 mm 15 15 mm
Accessories (to be ordered separately)				SUPPLY VOLTAGE		
EC-CB59: connection cable				1 +5V±5%		