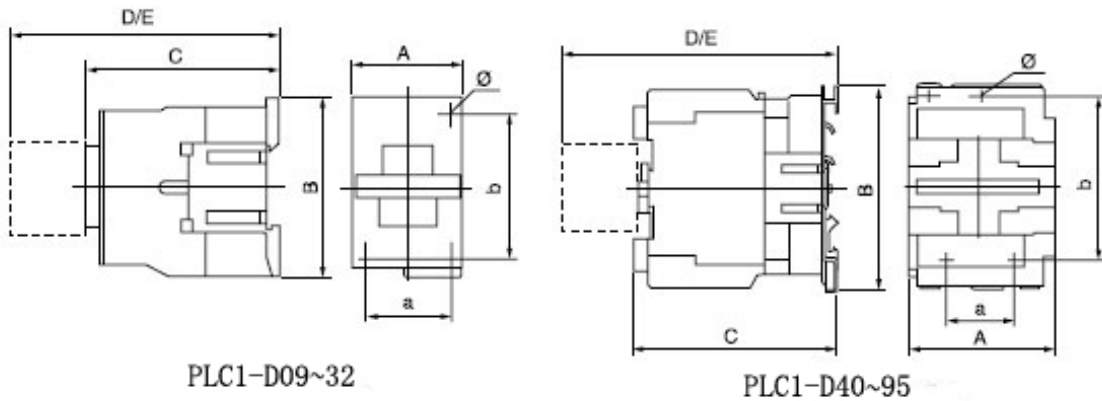


3. Technical Data

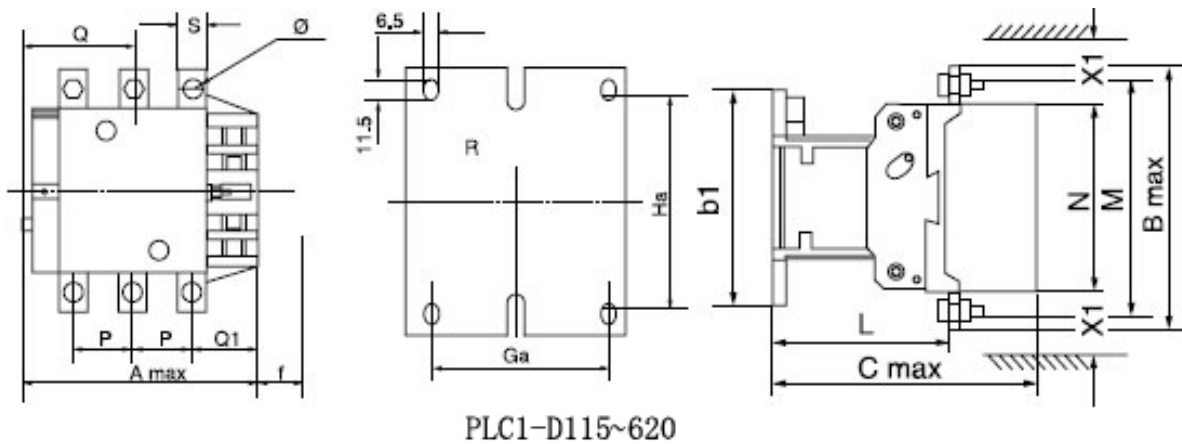
Items		Model	D09	D12	D18	D25	D32	D40	D50	D65	D80	D95
Rated conventional heating current (A) AC-1			20	20	32	40	50	60	80	80	95	95
Rated operational current (A)	380/400V	AC-3	9	12	18	25	32	40	50	65	80	95
		AC-4	3.5	5	7.7	8.5	12	18.5	24	28	37	44
	660/690V	AC-3	6.6	8.9	12	18	21	34	39	42	49	49
		AC-4	1.5	2	3.8	4.4	7.5	9	12	14	17.3	21.3
Rated insulation voltage (VAC)			690	690	690	690	690	690	690	690	690	690
Rated voltage of coil Us												
Power of controlled 3-phase cage motor (AC-3)	kW	220/230V AC	2.2	3	4	5.5	7.5	11	15	18.5	22	25
		380/400V AC	4	5.5	7.5	11	15	18.5	22	30	37	45
		660/690V AC	5.5	7.5	10	15	18.5	30	37	37	45	45
	hp	200V AC	3	5	7.5	7.5	10	15	15	20	25	30
		240V AC	3	5	7.5	10	15	20	20	25	30	30
		460V AC	5	7.5	10	15	20	25	30	40	40	50
		600V AC	5	7.5	10	15	20	25	30	40	40	50
Operating frequency (operations/h)	Electrical	AC-3	1,200	1,200	1,200	1,200	600	600	600	600	600	600
		AC-4	300	300	300	300	300	300	300	300	300	300
	Mechanical	3,600	3,600	3,600	3,600	3,600	3,600	3,600	3,600	3,600	3,600	3,600
Electrical life ($\times 10^3$ operations)	AC-3	1,000	1,000	1,000	1,000	800	800	600	600	600	600	600
	AC-4	200	200	200	200	200	150	150	150	100	100	100
Mechanical life ($\times 10^6$ operations)			10	10	10	10	8	8	8	8	6	6

Items		Model	D115	D150	D170	D205	D245	D300	D410	D475	D620
Rated conventional heating current (A) AC-1			200	250	250	315	350	400	500	700	1000
Rated operational current (A)	380/400V	AC-3	115	150	170	205	245	300	410	475	620
		AC-4	52	60	75	85	105	117	138	147	180
Rated insulation voltage (VAC)			1000	1000	1000	1000	1000	1000	1000	1000	1000
Rated voltage of coil Us			24V, 48V, 110V,230V,400V					48V, 110V,230V,400V			
Power of controlled 3-phase cage motor (AC-3)	kW	220/230V AC	30	40	55	63	75	100	110	147	200
		380/400V AC	55	75	90	110	132	160	220	265	335
		660/690V AC	80	100	110	129	160	220	280	355	450
	hp	200V AC									
		240V AC									
460V AC											
600V AC											
Operating frequency (operations/h)	Electrical	AC-3	1,200	1,200	1,200	1,200	600	600	600	600	600
		AC-4	300	300	300	300	300	300	300	300	300
	Mechanical	3,600	3,600	3,600	3,600	3,600	3,600	3,600	3,600	3,600	3,600
Electrical life ($\times 10^3$ operations)	AC-3	600	600	500	500	500	300	300	200	200	
	AC-4	150	150	150	150	150	150	80	80	50	
Mechanical life ($\times 10^3$ operations)			300	300	300	300	300	300	100	100	100

5. Outline and Mounting Dimension



Type	A	B	C	D	E	a	b	Φ
PLC1-D09~12	47	76	82	113	133	34/35	50/60	4.5
PLC1-D18	47	76	87	118	138	34/35	50/60	4.5
PLC1-D25	57	86	95	126	146	40	48	4.5
PLC1-D32	57	86	100	131	151	40	48	4.5
PLC1-D40~65	77	129	116	145	165	40	100/110	6.5
PLC1-D80~95	87	129	127	175	195	40	100/110	6.5



Type	A	B	C	b1	P	Q	S	Q1	M	N	L	Φ	Ga	Ha
PLC1-D115	158	120	132	158	35	60	17	25	134	96.2	75	M6	-	-
PLC1-D150	158	120	132	158	35	60	17	25	134	96.2	75	M6	-	-
PLC1-D170	158	120	132	158	35	60	17	25	134	96.2	75	M6	-	-
PLC1-D205	168.5	174	181	137	40	69	20	59.4	154	127	113.5	M8	80	120-106
PLC1-D245	168.5	197	181	137	48	69	25	51.5	172	127	113.5	M10	80	120-106
PLC1-D300	213	206	219	145	48	91	25	74	181	158	145	M10	80	120-106
PLC1-D410	213	206	219	209	48	91	25	74	181	158	145	M10	80	120-106
PLC1-D475	233	238	232	209	55	108	30	77	208	172	146	M10	80	180
PLC1-D620	309	304	255	280	80	140	40	89	264	202	155	M12	80	180