

## PANEL METER

### STANDARDS:

IEC51, IEC61010-1, VDE410, BS89, UL94, NE60051, IEN43780

### CASES:

All cases at least dust and splash water-proof.  
All cases are made of strengthened self-extinguishing PPO  
With a high hit-resistance and a maximum electric isolation

### ACCURACY CLASS:

AC, DC Voltmeters and Ammeters comply with the accuracy class 1.5.  
The power meters comply with accuracy class 1.5.  
The frequency meters comply with accuracy class 1.0.  
The maximum-demand meters comply with accuracy class 3.0.  
The power factor meters and synchroscope meter comply with accuracy class 2.5.

### INSULATION TEST:

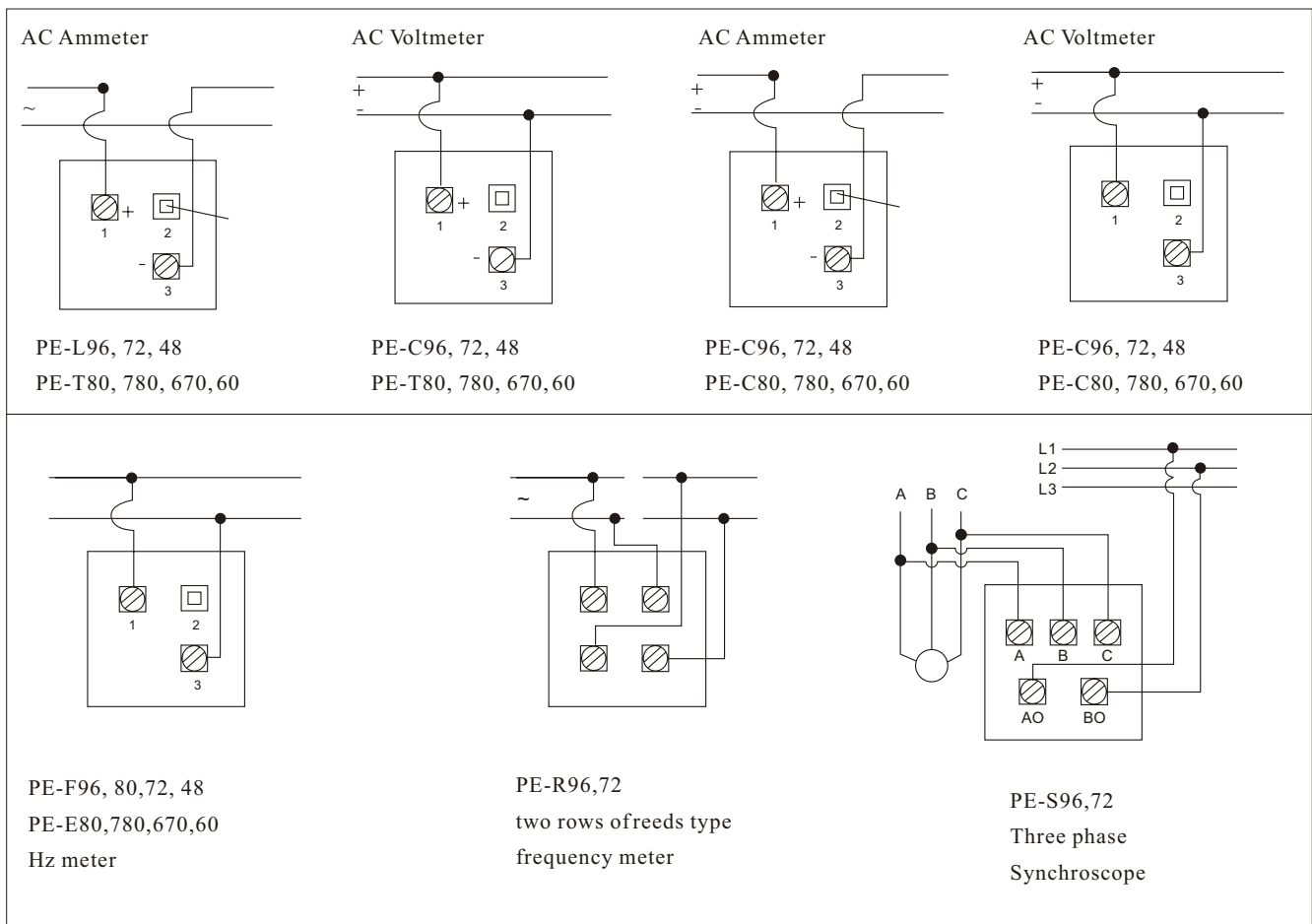
The insulation test is carried out at a voltage of 2KV, 50Hz 1 min and applies for instruments with the full scale deflection up to 650V. Other standards comply with IEC61010-1.

### TEMPERATURE INFLUENCE:

All instruments operate trouble-free at room temperature ranging from -25°C to +40°C.  
The Max. Voltage to earth Voltmeter-The upper range voltage (full scale deflection)  
Ammeter-The Voltage of the main power supply.  
The meter used shall be kept clean. The user shall be made aware of that, if the meter is used in a manner not specified by the manufacturer, the protection provided by the meter may be impaired.

### MOUNTING ANGLE:

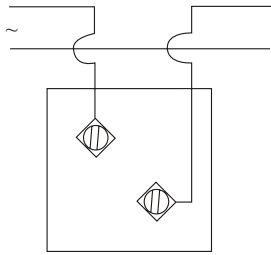
The instruments are calibrated for vertical mounting, unless other positions such as horizontal or inclined at any specified angle to the horizon. Can be provided upon request (in this case, specify angle of inclination, please) The accuracy class refers to the specified mounting angle only.



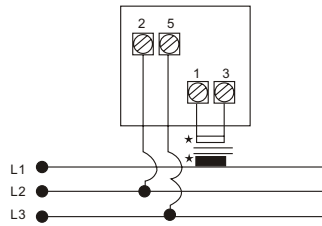


中国·人民电器集团  
PEOPLE ELE. APPLIANCE GROUP CHINA

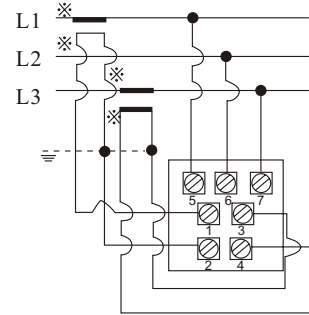
PANEL METER



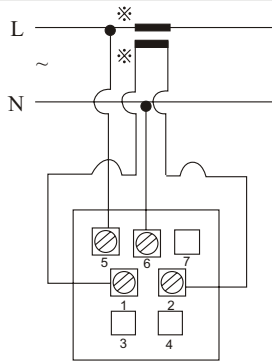
PE-M96, 80,72, 48  
Maximum demand meter



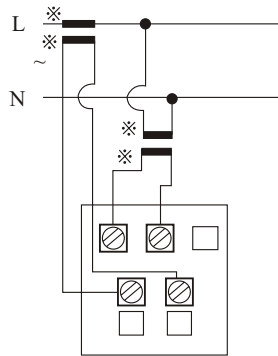
PE-PF96, 80,72, 48  
PE-PF80, 780, 670, 60  
3 Phase Power factor meter



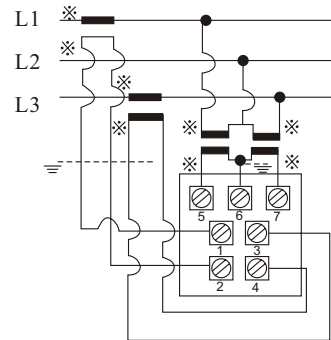
PE-W(Var)96, 80,72, 48  
PE-W80, 780, 670, 60  
Three phase three wire active power and reactive Power meter without voltage transformers



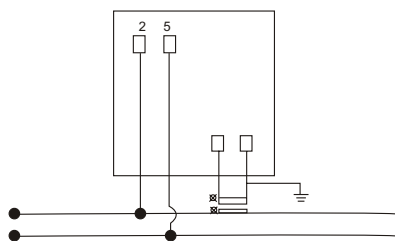
PE-W(Var)96, 72, 48  
PE-W(Var)80, 780, 670, 60  
Single~phase Power meter with Current transformers



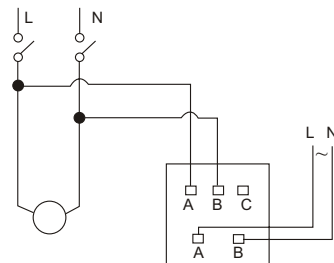
PE-W(Var)96, 72, 48  
PE-W(Var)80, 780, 670, 60  
Single~phase Power meter with Current and Voltage transformers



PE-W(Var)96, 72, 48  
PE-W(Var)80, 780, 670, 60  
Three phase three wire Active Power and Reactive Power meter with current and voltage transformers



PE-PF96, 80, 72, 48  
PE-PF80, 780, 670, 60  
Single phase power factor meter



PE-S96, 72  
Single phase Synchroscope