



BUTTERFLY VALVE → DN700-DN1200 U-SECTION BUTTERFLY VALVE

Medium Capability:

Freshwater, Sea water, Air, steam, food, medicine and kinds of oil, acid, alkali, salt.

Feature:

Long service life with reliable seal and without frequent maintenance. Butterfly valve have flow characteristics three times better than globe valve, and about 75% of a same size gate valve. Butterfly valve can be used for on/off service and throttling, They are superior in Multi-function as compared to gate or globe valves. Butterfly valve can be widely used in chemical field due to trim options and choice of elastomeric liner .

Butterfly valve have feature of light in weight and small in size, for example, weight and size of a 10” butterfly valve are 1/9 and 1/6 of a 10” gate valve. So butterfly valve is easy to install and save cost of piping system. Butterfly valve with resilient seat design can be bubble tight as compared to metal seated gate or globe valves. Butterfly valves offer 90-degree open to close. Butterfly valve is approximate 35-40% cost of a same size gate valve. Also low installed cost than gate valve.

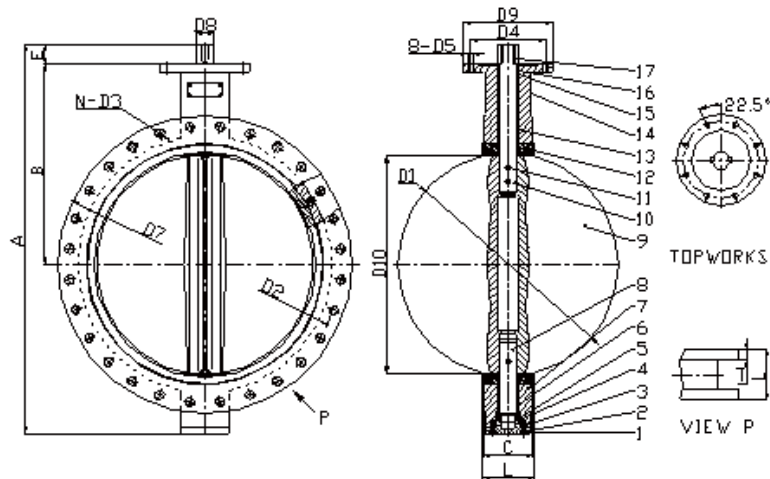
Properly installed butterfly valves are self cleaning and are less susceptible to failure due to trash material in pipe.

Structure and Parts List for Taper Pin Designed Butterfly Valve

Nominal Pressure: PN10



Item	Qty	Part Name
1	4	Hex-Bolt
2	1	Bottom Cover
3	1	“O”Ring
4	1	AdjustingGasket
5	1	Bearing
6	1	Lower Bushing
7	1	Body
8	1	Lower Stem
9	1	Disc
10	1	Upper Stem
11	3	Taper Pin
12	1	Seat
13	1	Mid Bushing
14	1	Nameplate
15	2	Upper Bushing
16	1	“O”Ring
17	2	Key



Note: When Mounting holes are clearance, it is called WU Type;
For tapped holes, it called LU Type.

Body	DISC	Stem	Bushing	Seat	
		Material		Material	WorkingTemperature
					(°C)
C.I	DI	416SS	LubricativeBronze	NR	-20°C-+85°C
D.I	WCB	431SS	Macromolecule+PTFE	HYPALON	-18°C-+135°C
WCB	AL-Brz	316SS	316SS+PTFE	EPDM	-30°C-+110°C
AL-Brz	Stainless Steel			NEOPRENE	-7°C-+93°C
Stainless Steel				NBR	-12°C-+82°C
				WRR	-10°C-+50°C
				VITON	-23°C-+150°C
				HRR	-20°C-+150°C
				PTFE	+10°C-+150°C

Outline Dimensions and Weight for U-Section Butterfly Valve DN750-DN1200

Valve Size		D1	D2	D3	D4	D5	D7	D8	D9	D10
Inch	mm									
30	750	744	914.4	1 1/4 UNC	200	18	984	63.4	300	725.5
36	900	865	1085.8	1 1/2 UNC	200	18	1168	75.0	300	840.5
42	1050	1030	1257.3	1 1/2 UNC	200	18	1346	95.0	300	999.0
48	1200	1160	1422.4	1 1/2 UNC	230	22	1511	105.0	350	1126.6



Valve Size		C	L	A	B	E	N	T	K	Weight
Inch	mm									Kgs.
30	750	167	173	1286	660	66	28	54	18×63	367
36	900	203	211	1494	720	118	32	61	20×100	591
42	1050	251	261	1785	858	150	36	67	25×140	811
48	1200	276	286	1954.7	941	150	44	70	28×140	1823

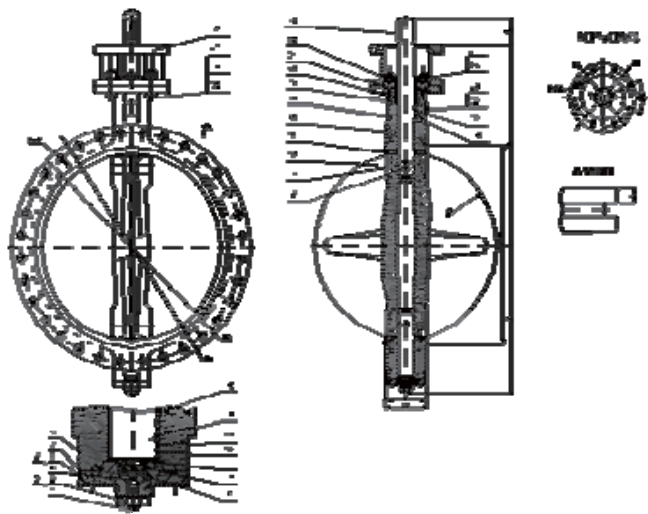
Note: Dimensions for mounting flange above mentioned conform ANSI B16.1 125PSI, and top mounting conform to ISO5211. When required, standards from other countries or any special requirements are also available.

Size: DN700-DN1200

Nominal Pressure: PN16



Item	Qty	Part Name
1	1	ADJUSTINGSCREW, STEEL
2	1	NUT,STEEL
3	1	WASHERS,STEEL
4	1	O Ring ASTM D2000(NBR)
5	4	SCREW, STEEL
6	4	WASHERS,SPRING STEEL
7	1	END COVER ASTM A536
8	1	O Ring ASTM D2000(NBR)
9	1	ROLL PIN,AISI 1566
10	1	GASKET,STEEL
11	3	GASKET,STEEL
12	4	SHORTBUSHING ASTM B584 C83600
13	2	O Ring ASTM D2000(NBR)
14	1	LOWER SHAFTASTM A276 GRADE 420
15	1	MIDDLE BUSHINGASTM B584 C83600
16	3	TAPER IN,ASTMA276 GRADE 420



Outline Dimensions and Weight for U-Section Butterfly Valve DN700-DN1200

Size		D1	D2	M	D3	D4	D5	D6	D7	D8
Inch	mm									
28	700	695	863.6	1 1/4UNC	254	18	770	927	70	300
30	750	744.4	914.4	1 1/4UNC	298	22	820	990	75	350
32	800	794.7	977.9	1 1/2UNC	298	22	900	1060	80	350
36	900	864.7	1085.8	1 1/2UNC	298	22	972	1168	90	350
42	1050	1030.7	1257.3	1 1/2UNC	356	33	1180	1346	105	415
48	1200	1160.6	1422.4	1 1/2UNC	356	33	1348	1511	120	415

Size		A	B	C	E	L	L1	N	Key	Weight
Inch	mm									
28	700	581	810	66	54	163	176	28	20*63	473
30	750	618	846	66	54	167	180	28	20*63	550
32	800	655	858	82	54	188	195	28	22*70	637
36	900	743	906	118	61	203	211	32	25*100	863
42	1050	864.1	1044	150	66	251	261	36	28*140	1217
48	1200	951	1126.7	150	70	276	286	44	32*140	1695