



BUTTERFLY VALVE → DN50-DN1200 Flange Type Butterfly valve

Medium Capability:

Freshwater, Sea water, Air, steam, food, medicine and kinds of oil, acid, alkali, salt.

Feature:

Long service life with reliable seal and without frequent maintenance. Butterfly valve have flow characteristics three times better than globe valve, and about 75% of a same size gate valve. Butterfly valve can be used for on/off service and throttling, They are superior in Multi-function as compared to gate or globe valves. Butterfly valve can be widely used in chemical field due to trim options and choice of elastomeric liner .

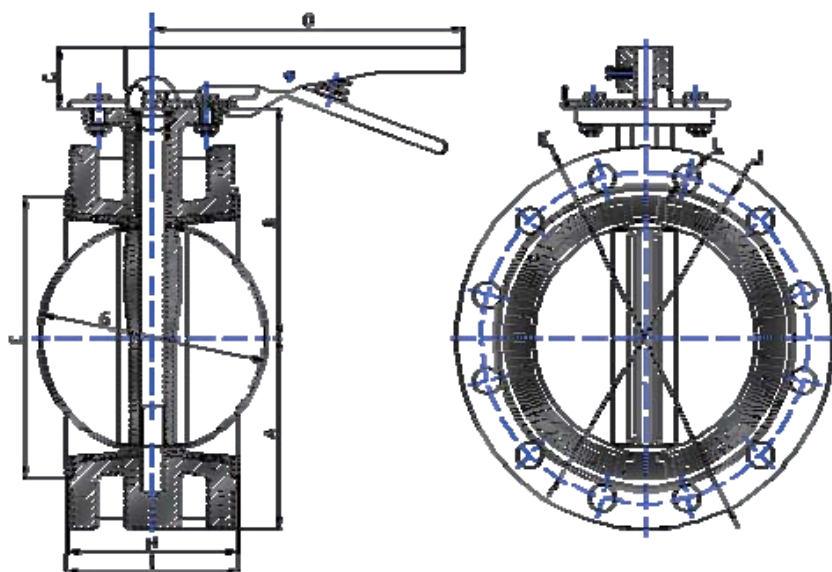
Butterfly valve have feature of light in weight and small in size, for example, weight and size of a 10" butterfly valve are 1/9 and 1/6 of a 10" gate valve. So butterfly valve is easy to install and save cost of piping system. Butterfly valve with resilient seat design can be bubble tight as compared to metal seated gate or globe valves. Butterfly valves offer 90-degree open to close. Butterfly valve is approximate 35-40% cost of a same size gate valve. Also low installed cost than gate valve.

Properly installed butterfly valves are self cleaning and are less susceptible to failure due to trash material in pipe.

Lever Flange Type Butterfly valve B-DFL-16

Size: DN50-DN300

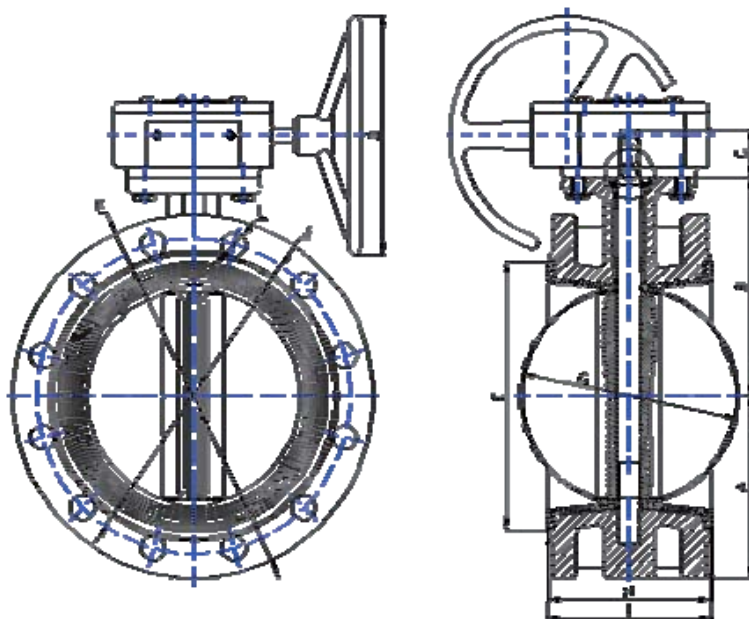
Rating:PN16





Worm Gear Box Flange Type Butterfly valve B-DFG-16

Rating:PN16



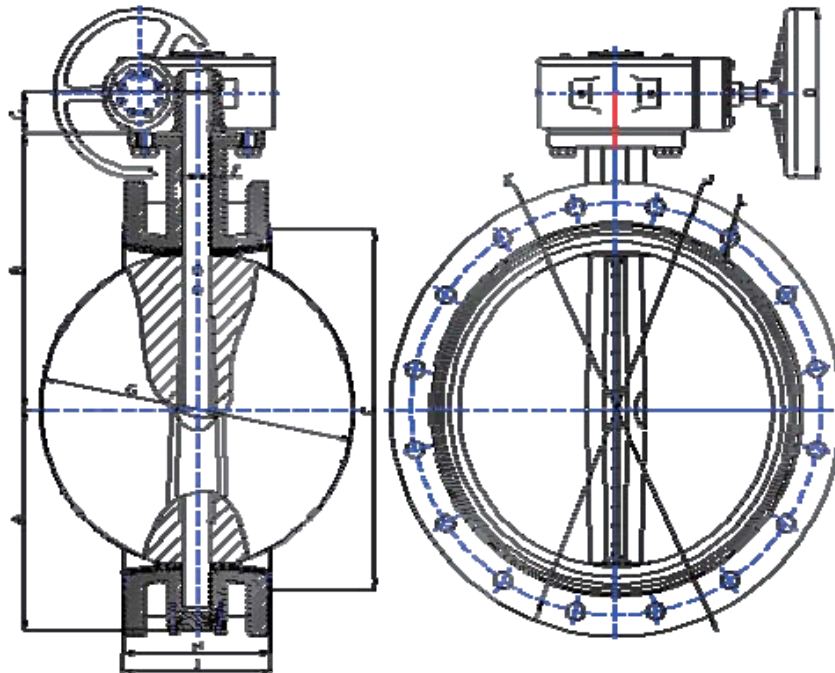
DIMENSIONS

Size	A	B	C	D	E	G	H	I	J	K	L
50mm	83	120	32	150	87	52.88	108	111	125	165	4-19
65mm	93	130	32	150	106	64.49	112	115	145	185	4-19
80mm	100	145	32	150	120	78.84	114	117	160	200	8-19
100mm	114	155	32	150	144	104.04	127	130	180	220	8-19
125mm	125	170	32	150	170	123.32	140	143	210	250	8-19
150mm	143	190	32	150	197	155.58	140	143	240	285	8-23
200mm	170	205	45	300	252	202.46	152	155	295	340	12-23
250mm	198	235	45	300	305	250.47	165	168	355	405	12-28
300mm	220	280	45	300	350	311.55	178	182	410	460	12-28

Worm Gear Box Flange Type Butterfly valve B-DFG-10

Size:DN350-DN600

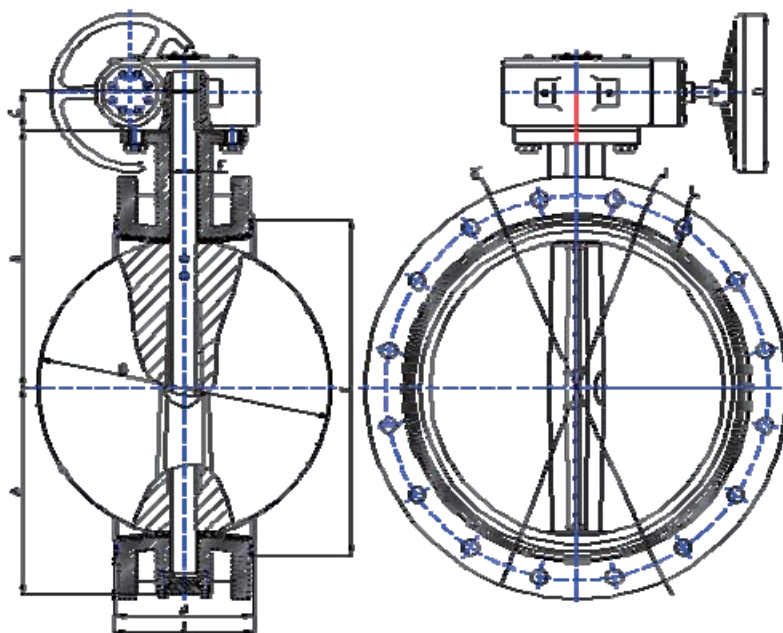
Rating: PN10



DIMENSIONS

Size	A	B	C	D	E	F	G	H	I	J	K	L
350mm	268.5	310	45	300	415	31.60	333	190	194	470	520	16-28
400mm	296.5	340	72	300	460	37.95	390	216	221	525	580	16-31
450mm	336.5	375	72	400	510	42.86	440	222	227	585	640	20-31
500mm	364.5	430	82	400	560	45.72	492	229	234	650	715	20-34
600mm	406.5	500	82	300	660	53.98	592	267	272	770	840	20-37

Rating: PN16





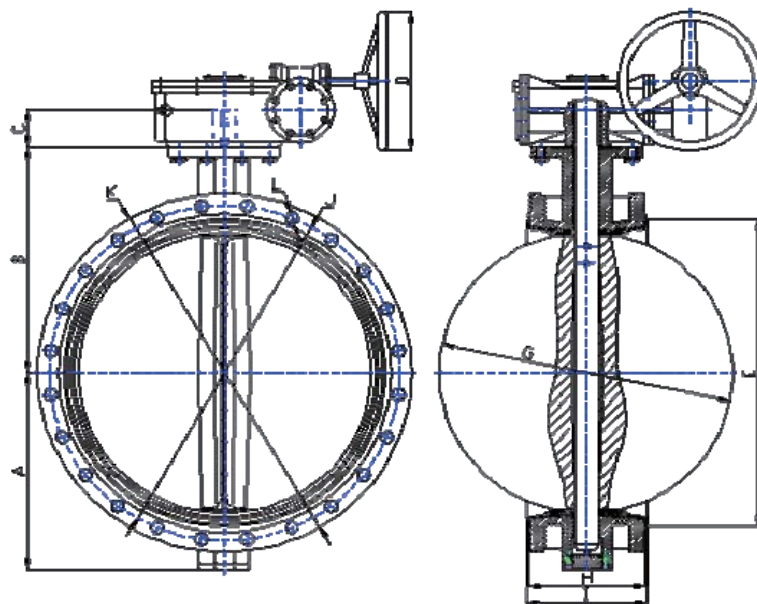
DIMENSIONS

Size	A	B	C	D	E	F	G	H	I	J	K	L
350mm	268.5	310	45	300	415	31.60	333	190	194	470	520	16-28
400mm	296.5	340	72	300	460	37.95	390	216	221	525	580	16-31
450mm	336.5	375	72	400	510	42.86	440	222	227	585	640	20-31
500mm	364.5	430	82	400	560	45.72	492	229	234	650	715	20-34
600mm	406.5	500	82	300	660	53.98	592	267	272	770	840	20-37

Worm Gear Box Flange Type Butterfly valve B-DFG-10

Size: DN700-DN800

Rating: PN10



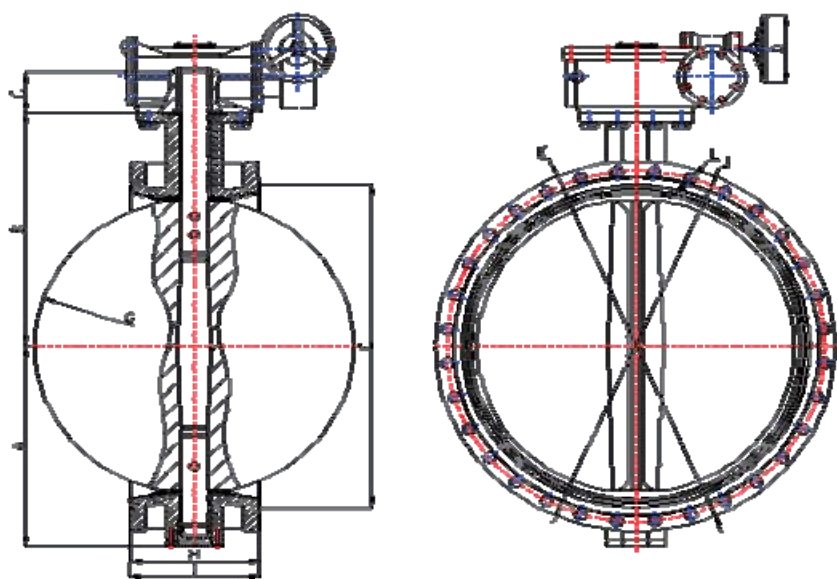
DIMENSIONS

Size	A	B	C	D	E	G	H	I	J	K	L
700mm	507	560	66	400	770	695	292	299	840	895	24-31
800mm	557	640	66	400	871	794.7	318	325	950	1015	24-34

Worm Gear Box Flange Type Butterfly valve B-DFG-10

Size:DN900-DN1200

Rating: PN10



DIMENSIONS

Size	A	B	C	D	E	G	H	I	J	K	L
900mm	596	665	118	400	972	865	330	337	1050	1115	28-34
1000mm	683	735	141	400	1080	965	410	417	1160	1230	28-37
1200mm	783	917	150	450	1270	1161	470	478	1380	1455	32-40

Body	DISC	Stem	Bushing	Seat	
	Material			Material	
				WorkingTemperature	
				(°C)	
C. I	DI	416SS	Lubricative Bronze	NR	-20°C~+85°C
D. I	WCB	431SS	Macromolecule +PTFE	HYPALON	-18°C~+135°C
WCB	AL-Brz	316SS	316SS+PTFE	EPDM	-30°C~+110°C
AL-Brz	Stainless Steel			NEOPRENE	-7°C~+93°C
StainlessSteel				NBR	-12°C~+82°C
				WRR	-10°C~+50°C
				VITON	-23°C~+150°C
				HRR	-20°C~+150°C
				PTFE	+10°C~+150°C