

SURFACE MOUNTING JUNCTION BOXES

REFERENCE STANDARD: IEC 60670

- Made of self-extinguishing engineering plastic
- RAL 7035 grey
- Max. operating temperatures: -25°C+85°C
- Full insulation to EN 60439-1 (use with specially designed screw cover caps)



SURFACE MOUNTING JUNCTION BOXES

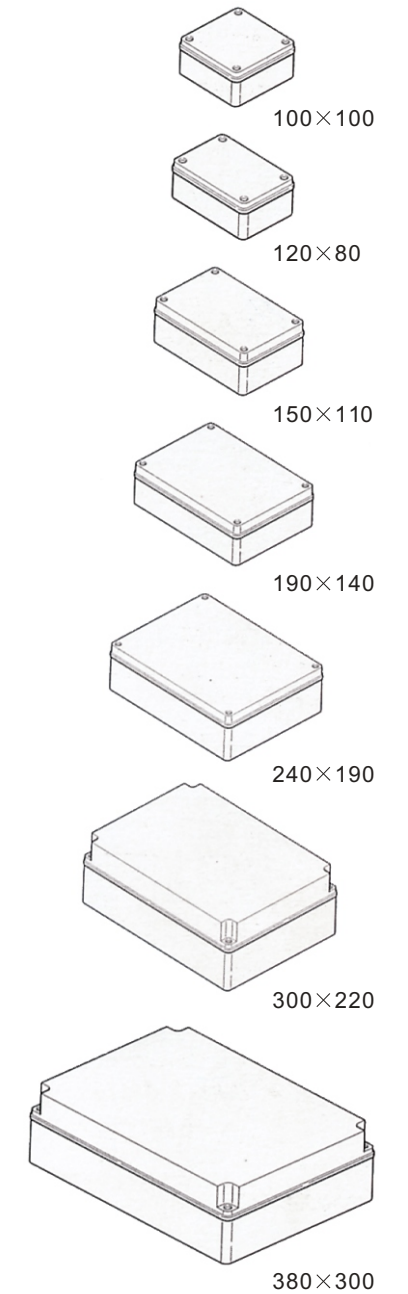
REFERENCE STANDARD: IEC 60670

- Made of self-extinguishing engineering plastic
- RAL 7035 grey
- Max. operating temperatures: -25°C+85°C
- Full insulation to EN 60439-1

BOX WITH CABLE SLEEVES- IP56 -With screw-down cover

INTERNAL DIMENSIONS (A x B x h)mm	FASTENING SCREWS
100 x 100 x 50	4
120 x 80 x 50	4
150 x 110 x 70 (-) ▲	4
150 x 150 x 70 (-) ▲	4
190 x 140 x 70 (-) ▲	4
240 x 190 x 90 (-) ▲	4
300 x 200 x 120 (-) ▲	4
380 x 300 x 120 (-) ▲	4
460 x 380 x 130 (-) ▲	6

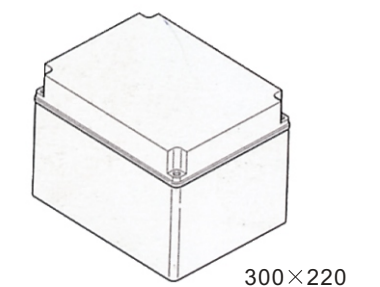
- (-) Optional wall mounting brackets
- ▲ Suitable for hinges mounting



HIGHER BOX WITH CABLE SLEEVES- IP56 -Screw-down cover

INTERNAL DIMENSIONS (A x B x h)mm	FASTENING SCREWS	PACK QTY
100 x 100 x 80	4	1/24
240 x 190 x 125	4	1/6
300 x 220 x 170	4	1/6
380 x 300 x 170 (-) ▲	4	1/3
460 x 380 x 130 (-) ▲	6	1

- (-) Optional wall mounting brackets
- ▲ Suitable for hinges mounting



SURFACE MOUNTING JUNCTION BOXES

REFERENCE STANDARD: IEC 60670

- Made of self-extinguishing engineering plastic
- RAL 7035 grey
- Max. operating temperatures: -25°C+85°C
- Full insulation to EN 60439-1



Ip44 series

BOX WITH CABLE SLEEVES

-With press-fit cover

INTERNAL DIMENSIONS (A x B x h)mm	NO. OF INLETS FOR	FASTENING SCREWS
∅ 65 x 35	4 ∅ 23mm PG 16	2
∅ 80 x 40	4 ∅ 23mm PG 16	2
80 x 80 x 40	6 ∅ 23mm PG 16	2

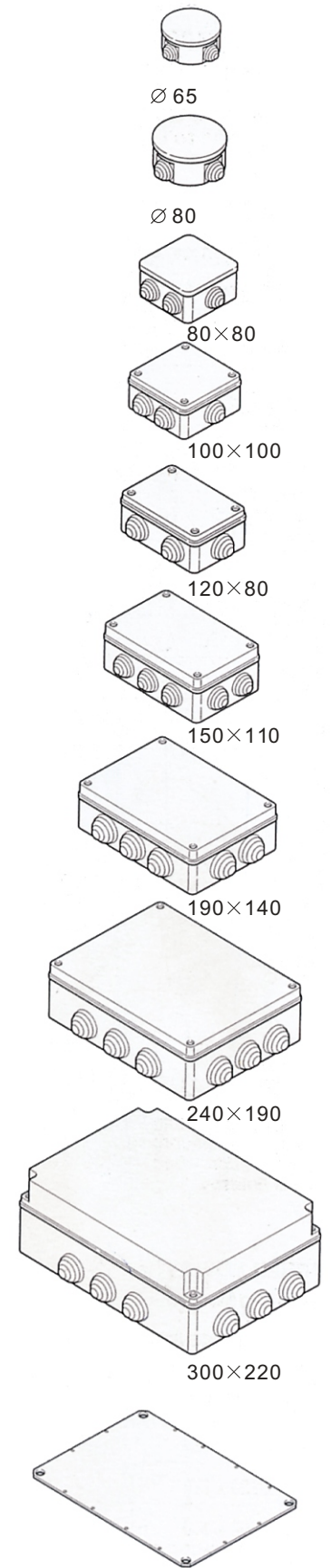
Ip56 series

BOX WITH CABLE SLEEVES

-With screw-down cover

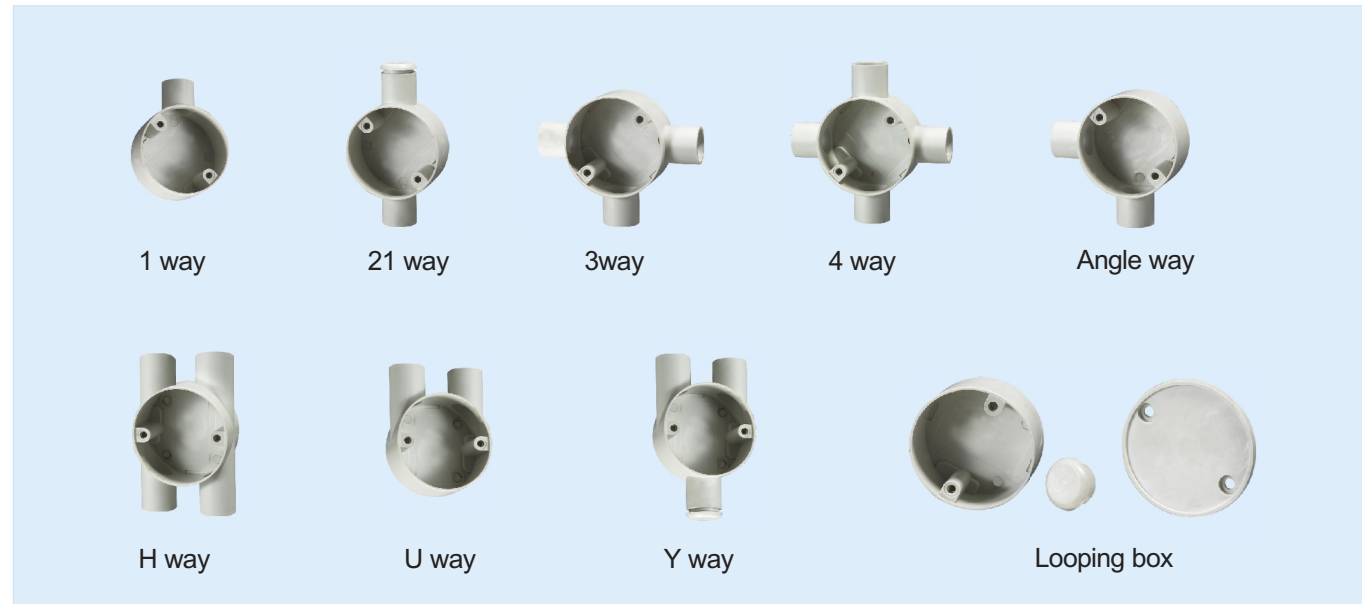
INTERNAL DIMENSIONS (A x B x h)mm	NO. OF INLETS FOR	FASTENING SCREWS
100 x 100 x 50	6 ∅ 29mm PG 21	4
120 x 80 x 50	6 ∅ 29mm PG 21	4
150 x 110 x 70	10 ∅ 29mm PG 21(•) ▲	4
190 x 140 x 70	10 ∅ 38mm PG 16(•) ▲	4
240 x 190 x 90	12 ∅ 38mm PG 16(•) ▲	4
300 x 200 x 120	12 ∅ 38mm PG 16(•) ▲	4
380 x 300 x 120	12 ∅ 48mm PG 16(•) ▲	4
460 x 380 x 130	14 ∅ 48mm PG 16(•) ▲	6

Optional wall mounting brackets
▲ Suitable for hinges mounting

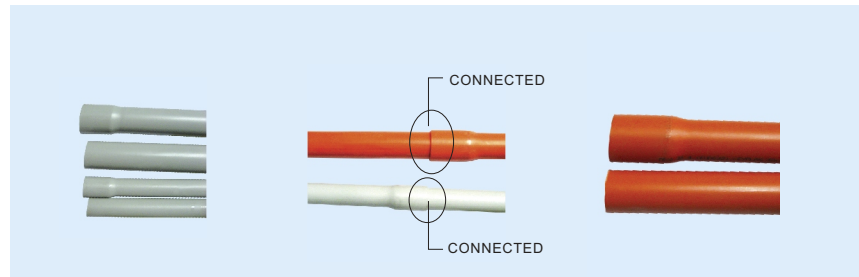


ACCESSORIES

	BOX (mm)	DIMENSIONS (A x B)mm	FASTENING SCREWS
Mounting plate	194 x 140	176 x 126 x 1,5	4
	240 x 190	226 x 176 x 1,5	4
	300 x 220	284 x 173 x 1,5	4
	380 x 300	358 x 252 x 1,5	4
	460 x 380		
12 Sealing caps	For providing full insulation according to EN 60439-1		
Sealing kit	100 x 100-120 x 80-150 x 110		
Hinges kit (3 pieces)	190 x 140-240 x 190-300 x 220-380 x 300		

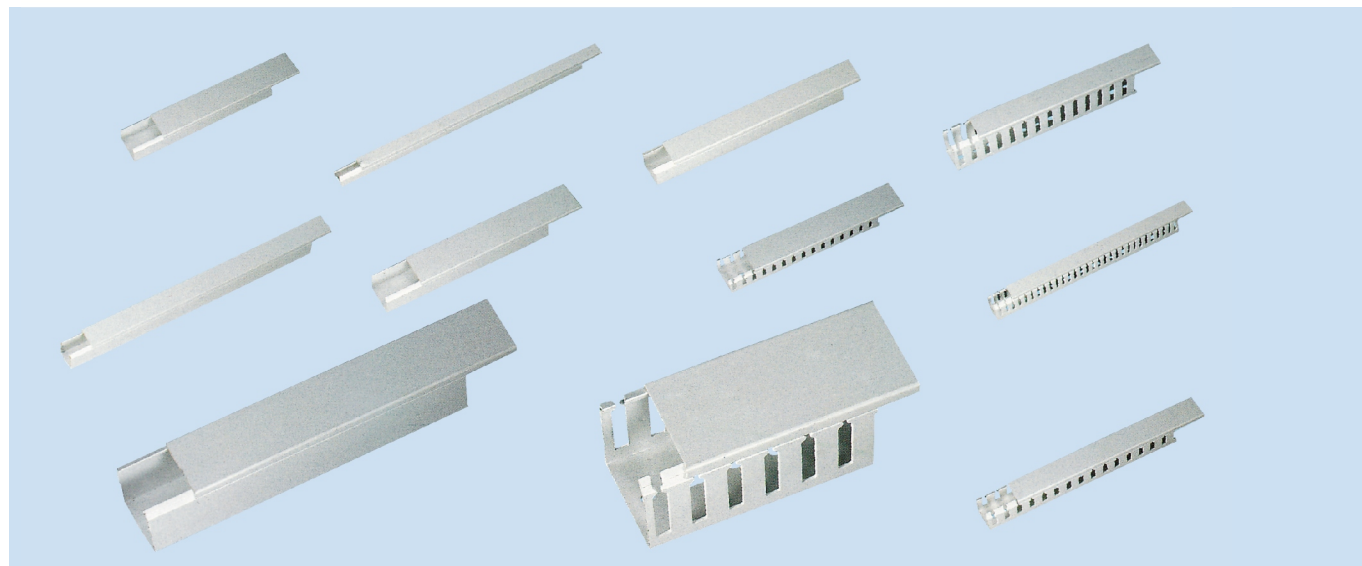


ELECTRICAL PIPE:TWO Type



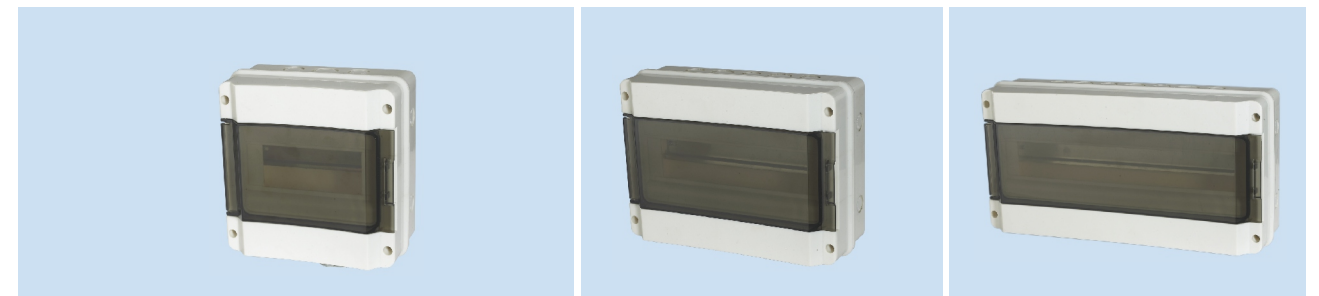
I: PVC PIPE
 Color: Grey , white
 length: 2M, 2.9M, 4M
 Size: ϕ 16, ϕ 20, ϕ 25, ϕ 32, ϕ 40,
 ϕ 50, ϕ 75, ϕ 110, ϕ 160

II: HEAVY DUTY Type UPVC PIPE
 Color: orange
 length: 2M, 2.9M, 4M
 Size: ϕ 16, ϕ 20, ϕ 25, ϕ 32, ϕ 40,
 ϕ 50, ϕ 75, ϕ 110, ϕ 160



Open type	25x25	25x40	60x40	60x60	80x60	80x60	100x40	100x60			
Close type	12x20	15x17	16x25	17x40	20x20	25x25	25x37	40x40	40x60	40x100	60x80

Water-proof Plastic Panel box



WP-8way

WP-12way

WP-18way

- WP-8W 8way MCB IP66
- WP-12W 12way MCB IP66
- WP-18W 18way MCB IP66
- WP-24W 24way MCB IP66
- WP-36W 36way MCB IP66
- WP-48W 48way MCB IP66



DMC water-proof Panel box



DMC 12W

DMC 30W

DMC 60W

